

Contempo LED

Series 245L

PRODUCT OVERVIEW



Applications:

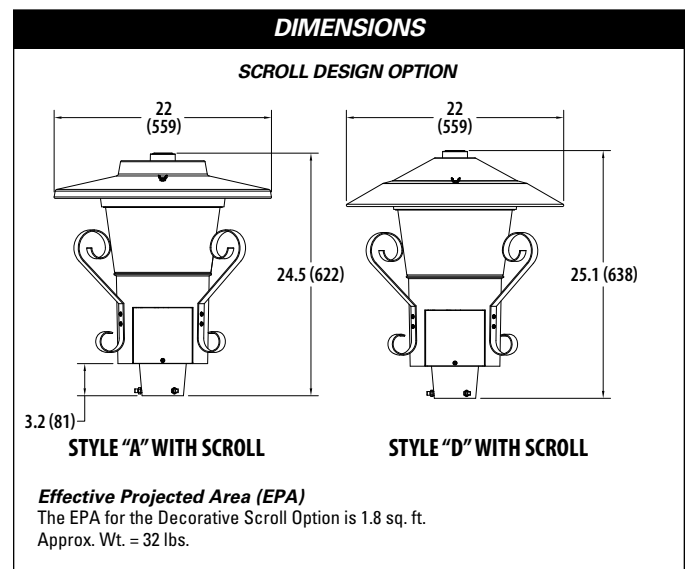
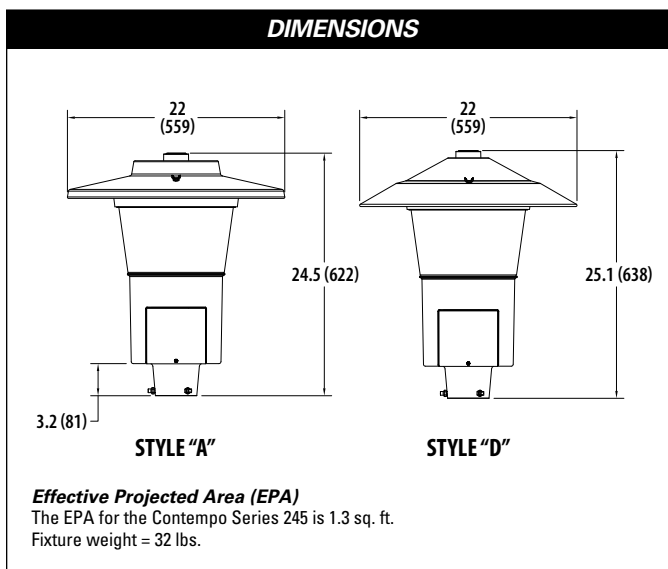
Streetscapes
Walkways
Pathways
Parks

Features:

- Street and area LED luminaire, replaces up to 250W HID
- Fifteen (15) LED performance packages deliver just the right amount of light for any given application up to 9,500 lumens
- Available in color temperature choices of 2700K, 3000K, and 4000K
- Three (3) distinct light distribution options provide design flexibility, available in Type II, Type III and Type V
- Five (5) different lens-optics include prismatic and rain pattern reflectors in your choice of acrylic, glass or polycarbonate material
- Die-cast aluminum housing, engineered for sturdy lifelong performance
- Spun aluminum hood features a latching system with captive screw for fast and simple electrical and optical chamber access
- Multiple heavy-duty gaskets seal the optical chamber from outdoor weather and provide full illumination performance
- Available in multiple hood styles and a decorative scroll option
- Cone mounting fitter with three (3) set screws allows secure installation to pole sizes 2-3/8" or 3" O.D.
- Rated LED and driver life greater than 100,000 hours at 25°C
- Surge protection device (standard) exceeds ANSI/IEEE C62.41-2002 Category C High (10kV/10kA) and ANSI C136.2-2015 Enhanced (10kV/5kA). 20KV Option exceeds ANSI/IEEE C62.41-2002 Category C High (10kV/10kA) and ANSI C136.2-2015 Extreme (20kV/10kA)
- Equipped with LED electronic 0-10V dimmable driver with DALI driver option

Standards:

- Complies with all applicable ANSI C136 standards.
- CSA listed and suitable for up to 40°C ambient
- DesignLights Consortium® (DLC) qualified product. Not all versions of this product may be DLC qualified. Please check the DLC Qualified Products List at www.designlights.org/QPL to confirm which versions are qualified.



All dimensions are inches (millimeters) unless otherwise noted.

Contempo LED

Series 245L

ORDERING INFORMATION

Example: 245L P155 MVOLT 40K R3 RNA GY SA PR7

Series	Performance Package			Voltage	Color Temperature (CCT)
245L Contempo LED	Package	Input Watts	Lumens (nominal)	MVOLT 120-277V	27K 2700K
	P101	20	2,100	HVOLT 347-480V	30K 3000K
	P102	30	2,900	XVOLT 277-480V with enhanced power quality protection	40K 4000K
	P103	40	3,700		
	P104	49	4,400		
	P151	30	3,200		
	P152	40	4,000		
	P153	50	4,800		
	P154	60	5,500		
	P155	70	6,200		
	P201	70	6,700		
	P202	80	7,400		
	P300	41	4,400		
	P301	60	6,400		
	P302	70	7,100		
	P303	80	7,800		

Distribution	Optics	Paint Finish	Hood Style	Photocontrol Receptacle
R2 Type II	RNA Rain Pattern Acrylic	GY Gray	SA Style A	NR No photocontrol receptacle
R3 Type III	RNP Rain Pattern Polycarbonate	BK Black	SD Style D	PR3 3 pin NEMA photocontrol
R5 Type V	GL Glass	DDB Dark Bronze		PR7 7 pin NEMA photocontrol
	AY Acrylic	WH White		
	PY Polycarbonate	BZ Bronze		

Options

Options

PCLL	Solid state long life photocontrol, 120-277V (fail off)
PCSS	Solid state photocontrol, 120-277V (not CSA Listed) (fail on)
P34	Solid State Long Life Photocontrol, 347V (fail off)
P48	Solid State Long Life Photocontrol, 480V (fail off)
SH	Shorting cap
AO	Field adjustable output module
DALI	DALI driver (RFD required)

Miscellaneous

SS	Stainless steel hardware
TL	Tool-less wing screw entry
NL1X1	1" x 1" NEMA label
NL2X2	2" x 2" NEMA label
XL	Not CSA Listed
DD	Decorative scroll
CR	Epoxy Pre-Coat Finish
20kV	20kV/10kA surge protection device
HSS	Louvered house side shield

Prewired leads

L1H	1.5 ft. prewire leads
L03	3 ft. prewire leads
L10	10 ft. prewired leads
L20	20 ft. prewire leads
L25	25 ft. prewire leads
L30	30 ft. prewire leads

Special Packaging

SSP	Sample pack (UPS)
JP	Job pack style A hood, 728 units per trailer
JPD	Job pack style D hood, 624 units per trailer

Note: Check the OPTIONS MATRIX on Page 3 for compatibility & restrictions



Warranty Five-year limited warranty. This is the only warranty provided and no other statements in this specification sheet create any warranty of any kind. All other express and implied warranties are disclaimed. Complete warranty terms located at: www.acuitybrands.com/support/warranty/terms-and-conditions

Note: Actual performance may differ as a result of end-user environment and application. All values are design or typical values, measured under laboratory conditions at 25 °C. Specifications subject to change without notice.

Please contact your sales representative for the latest product information.

Contempo LED

Series 245L

OPTIONS MATRIX

		Voltage			Receptacle			Photocontrol					Other			
		MVOLT	HVOLT	XVOLT	PR3	PR7	NR	PCLL	PCSS	P34	P48	SH	AO	DALI	20KV	
Lumen Package	P101	Y	N	N	Y	Y	Y	Y	Y	Y	Y	Y	Y	N	Y	
	P102	Y	Y	N	Y	Y	Y	Y	Y	Y	Y	Y	Y	RFD	Y	
	P103	Y	Y	N	Y	Y	Y	Y	Y	Y	Y	Y	Y	RFD	Y	
	P104	Y	Y	N	Y	Y	Y	Y	Y	Y	Y	Y	Y	RFD	Y	
	P151	Y	Y	N	Y	Y	Y	Y	Y	Y	Y	Y	Y	RFD	Y	
	P152	Y	Y	N	Y	Y	Y	Y	Y	Y	Y	Y	Y	RFD	Y	
	P153	Y	Y	Y	Y	Y	Y	Y	Y	Y	Y	Y	Y	RFD	Y	
	P154	Y	Y	Y	Y	Y	Y	Y	Y	Y	Y	Y	Y	RFD	Y	
	P155	Y	Y	N	Y	Y	Y	Y	Y	Y	Y	Y	Y	RFD	Y	
	P201	Y	Y	Y	Y	Y	Y	Y	Y	Y	Y	Y	Y	RFD	Y	
	P202	Y	Y	Y	Y	Y	Y	Y	Y	Y	Y	Y	Y	RFD	Y	
	P300	Y	Y	N	Y	Y	Y	Y	Y	Y	Y	Y	Y	RFD	Y	
	P301	Y	Y	Y	Y	Y	Y	Y	Y	Y	Y	Y	Y	RFD	Y	
	P302	Y	Y	Y	Y	Y	Y	Y	Y	Y	Y	Y	Y	RFD	Y	
P303	Y	Y	Y	Y	Y	Y	Y	Y	Y	Y	Y	Y	RFD	Y		
Voltage	MVOLT				Y	Y	Y	Y	Y	N	N	Y	Y	Y	RFD	Y
	HVOLT				Y	Y	Y	N	N	Y	Y	Y	Y	N	Y	
	XVOLT				Y	Y	Y	Y	Y	Y	Y	Y	Y	N	Y	
Receptacle	PR3	Y	Y	Y				Y	Y	Y	Y	Y	Y	RFD	Y	
	PR7	Y	Y	Y				Y	Y	Y	Y	Y	Y	RFD	Y	
	NR	Y	Y	Y				N	N	N	N	N	Y	RFD	Y	
Photocontrol	PCLL	Y	N	Y	Y	Y	N						Y	RFD	Y	
	PCSS	Y	N	Y	Y	Y	N						Y	RFD	Y	
	P34	N	Y	Y	Y	Y	N						Y	RFD	Y	
	P48	N	Y	Y	Y	Y	N						Y	RFD	Y	
	SH	Y	Y	Y	Y	Y	N						Y	RFD	Y	
Other	AO	Y	Y	Y	Y	Y	Y	Y	Y	Y	Y	Y	N	N	Y	
	DALI	RFD	N	N	RFD	RFD	RFD	RFD	RFD	RFD	RFD	RFD	N		RFD	
	20KV	Y	Y	Y	Y	Y	Y	Y	Y	Y	Y	Y	Y	RFD		

MATRIX KEY

Y = Option combination is available

N = Option combination is not available

RFD = Option combination is available but additional information required. Consult factory.



AEL Headquarters, One Lithonia Way, Conyers Georgia 30012
 www.americanelectriclighting.com Phone: 1-866-HOLOPHANE
 Email: TechSupportINF@AcuityBrands.com
 © 2019-2022 Acuity Brands Lighting, Inc. All Rights Reserved. 245L Rev. 12/27/22

Warranty Five-year limited warranty. This is the only warranty provided and no other statements in this specification sheet create any warranty of any kind. All other express and implied warranties are disclaimed. Complete warranty terms located at: www.acuitybrands.com/support/warranty/terms-and-conditions

Note: Actual performance may differ as a result of end-user environment and application. All values are design or typical values, measured under laboratory conditions at 25 °C. Specifications subject to change without notice.

Please contact your sales representative for the latest product information.

Contempo LED

Series 245L

OPERATING CHARACTERISTICS

Performance Package	Wattage	CCT	RNA Optic					
			R2		R3		R5	
			Lumens	LPW	Lumens	LPW	Lumens	LPW
P101	20	2700K	1,986	99	2,032	102	2,370	118
		3000K	2,073	104	2,121	106	2,473	124
		4000K	2,163	108	2,214	111	2,581	129
P102	30	2700K	2,690	90	2,752	92	3,209	107
		3000K	2,807	94	2,873	96	3,349	112
		4000K	2,929	98	2,997	100	3,495	116
P103	40	2700K	3,454	86	3,534	88	4,121	103
		3000K	3,605	90	3,689	92	4,301	108
		4000K	3,762	94	3,849	96	4,488	112
P104	49	2700K	4,102	83	4,198	85	4,895	99
		3000K	4,282	87	4,381	89	5,109	104
		4000K	4,468	91	4,572	93	5,331	108
P151	30	2700K	3,031	101	3,102	103	3,617	121
		3000K	3,164	105	3,237	108	3,775	126
		4000K	3,301	110	3,378	113	3,939	131
P152	40	2700K	3,678	92	3,764	94	4,389	110
		3000K	3,839	96	3,929	98	4,581	115
		4000K	4,006	100	4,100	102	4,780	120
P153	50	2700K	4,445	89	4,549	91	5,304	106
		3000K	4,640	93	4,748	95	5,536	111
		4000K	4,842	97	4,954	99	5,777	115
P154	60	2700K	5,139	86	5,259	88	6,132	102
		3000K	5,364	89	5,489	91	6,400	107
		4000K	5,597	93	5,728	95	6,679	111
P155	70	2700K	5,829	83	5,964	85	6,954	99
		3000K	6,084	87	6,225	89	7,259	104
		4000K	6,348	91	6,496	93	7,574	108
P201	70	2700K	6,305	90	6,451	92	7,523	107
		3000K	6,581	94	6,734	96	7,852	112
		4000K	6,867	98	7,027	100	8,193	117
P202	80	2700K	6,916	86	7,077	89	8,253	103
		3000K	7,219	90	7,387	92	8,614	108
		4000K	7,533	94	7,708	96	8,988	112
P300	41	2700K	4,091	101	4,186	103	4,881	120
		3000K	4,270	105	4,370	108	5,095	125
		4000K	4,456	110	4,560	112	5,317	131
P301	60	2700K	5,958	99	6,097	102	7,109	118
		3000K	6,219	104	6,364	106	7,420	124
		4000K	6,489	108	6,640	111	7,743	129
P302	70	2700K	6,655	95	6,810	97	7,941	113
		3000K	6,947	99	7,108	102	8,289	118
		4000K	7,249	104	7,418	106	8,649	124
P303	80	2700K	7,342	92	7,513	94	8,760	110
		3000K	7,663	96	7,841	98	9,143	114
		4000K	7,996	100	8,182	102	9,541	119

The table above shows performance of the RNA optic. For other optics, use the lumen multiplier in the table below:

Optic	Lumen Multiplier
RNA	1.00
RNP	0.98
GL	0.86
AY	0.80
PY	0.72



AEL Headquarters, One Lithonia Way, Conyers Georgia 30012
 www.americanelectricalighting.com Phone: 1-866-HOLOPHANE
 Email: TechSupport@AcuityBrands.com
 © 2019-2022 Acuity Brands Lighting, Inc. All Rights Reserved. 245L Rev. 12/27/22

Warranty Five-year limited warranty. This is the only warranty provided and no other statements in this specification sheet create any warranty of any kind. All other express and implied warranties are disclaimed. Complete warranty terms located at: www.acuitybrands.com/support/warranty/terms-and-conditions

Note: Actual performance may differ as a result of end-user environment and application. All values are design or typical values, measured under laboratory conditions at 25 °C. Specifications subject to change without notice.

Please contact your sales representative for the latest product information.

Contempo LED

Series 245L

PROJECTED LED LUMEN MAINTENANCE

Data references the extrapolated performance projections for the platforms noted in a 25°C ambient, based on 6,000 hours of LED testing (tested per IESNA LM-80-08 and projected per IESNA TM-21-11). For other lumen maintenance values, contact factory.

LED Lumen Maintenance							
Performance Package	Initial	25k hours	36k hours	50k hours	60k hours	75k hours	100k hours
P101, P102, P151, P300	1.00	0.96	0.94	0.92	0.90	0.88	0.85
P103, P152	1.00	0.95	0.93	0.91	0.90	0.87	0.84
P153, P301, P302	1.00	0.95	0.93	0.91	0.89	0.87	0.83
P104, P154, P201, P303	1.00	0.95	0.93	0.90	0.89	0.86	0.82
P155, P202	1.00	0.94	0.92	0.89	0.88	0.85	0.80

LUMEN AMBIENT TEMPERATURE (LAT) MULTIPLIERS

Use these factors to determine relative lumen output for average ambient temperatures from 0-40°C (32-104°F).

Luminaire Ambient Temperature (LAT) Multiplier								
0°C	5°C	10°C	15°C	20°C	25°C	30°C	35°C	40°C
1.04	1.03	1.02	1.02	1.01	1.00	0.99	0.98	0.97

